

■ **HAVWOODS**  
■ **ACCESSORIES**

# NEW LVT COLLECTION

FIRST EDITION

THE UK'S  
**NO.1**  
SUPPLIER

of Flooring Accessories  
and Machinery



**FESTOOL**



# MORE THAN JUST WOOD

It's no secret that we're the UK's number one supplier of flooring accessories and machinery but did you know we now specialise in LVT accessories as well as wood?

We've got all the accessories you need, all in one place - regardless of whether you are working with wood or LVT.

This new brochure is designed to work alongside the Havwoods Accessories Annual Trade Price List, bringing together our existing LVT suitable products with a whole host of NEW products recently added to our range.

Everything you need for your next project, from levelling compounds and vinyl adhesives to guillotines and cleaning products, in stock and ready for next day delivery\*.

**WHY GO ELSEWHERE WHEN YOU CAN NOW BUY ALL OF YOUR SUPPLIES FROM US? THE ONE STOP SHOP FOR FLOORING ACCESSORIES.**

**RECOIL  
KNEE PADS**

**PAGE  
34**



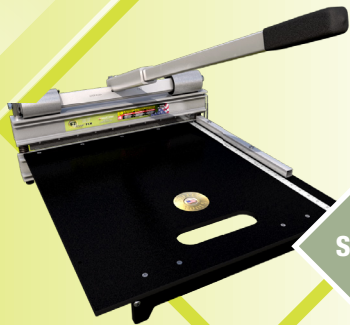
**BUFFALO  
BOARD**

**PAGE  
32**

**F.BALL  
F44**



**PAGE  
6**



**PAGE  
22**

**SHEARS**

**MARLDON  
MXC770**



**PAGE  
33**

## **INSTALLATION & SUBFLOOR PREPARATION 5**

Adhesives	6
DPMs/Primers/Levelling Compounds	9
Underlays/Moisture Barriers	11
Ardex	12
Sika	13
F.Ball	14
Sanding Machines	15
Wolff	16
Sanding Machine Discs	17

## **MOULDINGS 18**

## **TOOLS 21**

Shears	22
BEPO	24
Measurement	26
Floor Preparation	28

## **FLOOR PROTECTION 31**

## **APPLICATORS & MAINTENANCE 33**

## **SAFETY & WORKWEAR 34**

Snickers Clothing	34
-------------------	----

# STICK WITH THE BEST

Our F.Ball product range is expanding to bring you the most effective tools you need to get the job done right. Our latest 3 additions are designed specifically to suit LVT projects, and because it's F.Ball you know it is quality you can rely on.

**NEW TO  
HAVWOODS  
ACCESSORIES**

**FIND ME ON  
PAGES 6 & 7**





# INSTALLATION & SUBFLOOR PREPARATION



ADHESIVES	6
DPMS/PRIMERS/LEVELLING COMPOUNDS	9
UNDERLAYS / MOISTURE BARRIERS	11
ARDEX	12
SIKA	13
F. BALL	14
SANDING MACHINES	15
WOLFF	16
SANDING MACHINE DISCS	17

## F.Ball F44

Solvent free acrylic emulsion adhesive • High bond strength and strong initial tack • Long open time

- Protected against bio-degradation and is suitable for use over normal underfloor heating installations
- Can be used for securing vinyl sheet and tile floorcoverings to EN654, EN649 and EN651; rubber floorcoverings and some textile floorcoverings with PVC and polyurethane foam backings • **Approx. coverage: 60m<sup>2</sup> per 15 litre using a 1.5mm x 5mm trowel.**

CODE	VARIATION	PRICE
650105	15 ltr	£53.99



### TOP TIP FROM RICK

## WONDERING WHICH PRODUCT IS THE MOST SUITABLE FOR YOUR NEXT PROJECT?



CHARACTERISTICS OF THE DIFFERENT F.BALL PRODUCTS MAKE THEM BETTER SUITED TO DIFFERENT FLOORING TYPES.

	F44	F46	F48+
PVC Sheet		✓	✓
Rubber Sheet			✓
Vinyl Sheet	✓		
Vinyl Tile	✓	✓	✓

## CALL US TODAY FOR BULK BUY DISCOUNTS

## F.Ball F46

Solvent free pressure sensitive acrylic adhesive that dries to a permanent tacky film • Used to reduce the incidence of trowel serrations shadowing through thin vinyl flooring • Designed to give strong initial tack and a high bond strength • Protected against biodegradation and is suitable for use over normal underfloor heating installations • Can be used for securing a wide range of PVC sheet and tile floorcoverings • **Approx coverage: 75m<sup>2</sup> per 15 litre using a 1.5mm x 5mm trowel.**

CODE	VARIATION	PRICE
650063	15 ltr	£67.95



## F.Ball F48+

Fibre-reinforced, solvent free adhesive • High resistance to both heat and PVC plasticisers making it suitable for use in conservatories and areas where floor to ceiling windows are installed • Protected against biodegradation and is suitable for use over normal underfloor heating installations • Can be used for securing a wide range of plasticised PVC and rubber floorcoverings in both sheet and tile form • **Approx coverage: 60m<sup>2</sup> per 15 litre using a 1.5mm x 5mm trowel.**

CODE	VARIATION	PRICE
650112	15 ltr	£61.50



## MXA800

Marldon MXA800 adhesive is developed specially for linoleum and vinyl floorcoverings

- Suitable for use with all quality vinyl floorcoverings
- Strong initial tack and permanent bond
- **Coverage: up to 67m<sup>2</sup> per unit applied with a 1.5 x 5mm notched trowel.**

CODE	VARIATION	PRICE
650098	15kg	£62.30



## MXA700

Marldon MXA700 pressure sensitive acrylic adhesive is suitable for bonding most rubber and vinyl floorcoverings

- **Coverage: up to 110m<sup>2</sup> per 15 litre unit using a 1.5 x 5mm notched trowel.**

CODE	VARIATION	PRICE
650091	15 ltr	£95.68



## Marldon Smoothing Compound MXS110

A single component, high strength smoothing compound for levelling uneven subfloors • Rapid setting and curing time, pump applicable and low VOC • Suitable for underfloor heating • Mix with approx 4.5 - 4.8ltr water  
**• Coverage: 1.7kg per m<sup>2</sup>/per mm depth • Foot traffic 2-4 hours • Floorcoverings 24 hours (thickness dependant) • Can achieve SR1 finish.**

CODE	VARIATION	PRICE
<b>250043</b>	25kg Bag	<b>£18.95</b>
	10+ Bags	<b>£17.05</b>
	20+ Bags	<b>£16.10</b>
	Pallet 40+ Bags	<b>£15.14</b>

Depth in mm x 1.7 x area in m<sup>2</sup> = total kg required. Divide the total KG required by the bag size for number of bags required.



### Marldon Epoxy Primer MXS130

A universal acrylic primer for porous substrates such as screeds and timber sub floors  
 • Allows for better flow characteristics and removes the adverse effects of suction  
 • Compatible with levelling compounds and beneath Marldon adhesives  
 • Drying time: 3-6 hours • Coverage 75 -100 m<sup>2</sup> per 5kg unit.

CODE	VARIATION	PRICE
<b>250044</b>	5kg (two part)	<b>£53.00</b>



### Marldon Rapid DPM MXS140

Accelerated two part epoxy based DPM, cures as a surface membrane over concrete and cementitious subfloors • One coat system up to 97% RH • Compatible with underfloor heating systems (see data sheet) • Drying time – 3-4 hr curing at 20°C • DPM Coverage: Approx 12.5m<sup>2</sup> per 4 litre.

CODE	VARIATION	PRICE
<b>250036</b>	4 ltr (two part)	<b>£80.19</b>





## Marldon Epoxy Primer MXS160

A two-part water-based epoxy primer designed for use prior to the application of smoothing compounds on Anhydrite/Calcium Sulphate screeds. Additionally, it is suitable for priming new and existing cementitious screeds

- Consolidates weak surfaces
- Drying time: 3-6 hours (roller application) 1/2 coats
- Coverage: Approx 10m<sup>2</sup> per kg
- Delivery: POA.



CODE	VARIATION	PRICE
250055	7.5kg (two part)	£51.84



## Marldon Rapid MVS MXS150

A single component moisture vapour suppressant • Primes, consolidates and damp proofs • Water based, low VOC • Rapid drying time - approx 1 hour at 20°C  
 • Coverage: 5m<sup>2</sup> per litre. 1/2 coats • For use as a primer (Mix 50/50 with water)  
 • Can accommodate up to 95% RH (2 coats).

CODE	VARIATION	PRICE
250037	5 ltr	£66.50



## Marldon Universal Acrylic Primer MXS120

A universal acrylic primer for porous substrates such as screeds and timber sub floors  
 • Allows for better flow characteristics and removes the adverse effects of suction  
 • Compatible with levelling compounds and beneath Marldon adhesives  
 • Drying time: 30mins -1 hour • Coverage: Approx 8m<sup>2</sup> per litre.

CODE	VARIATION	PRICE
250038	5 ltr nett	£32.20



## Strata

A tough and durable acoustic resilient layer designed to attenuate impact sound at source

- High quality and exact material thickness guaranteed
- Suitable for use with underfloor heating
- Impact sound reduction of up to 22dB (independent test data available)
- To be bonded down using a suitable adhesive
- 16 per pallet.

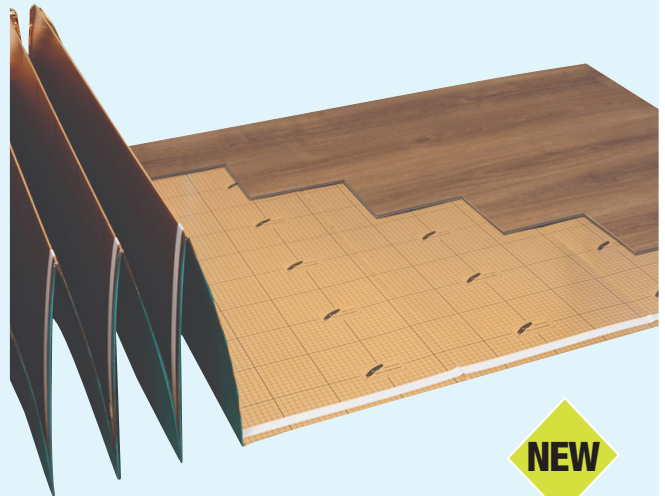


CODE	VARIATION	PRICE
<b>150097</b>	A30 3mm - 1.3m x 20m 26m <sup>2</sup> roll	<b>£155.93</b>
<b>150090</b>	A50 5mm - 1.3m x 10m 13m <sup>2</sup> roll	<b>£125.95</b>
<b>150098</b>	A100 10mm - 1.3m x 5m 6.5m <sup>2</sup> roll	<b>£123.06</b>

## Marldon LVT Underlay 1.5mm

Specifically designed for use with LVT flooring, the Marldon 1.5mm LVT Underlay is a high density foiled and layered fan-fold board

- Ideal for LVT, this underlay provides superior support, excellent noise reduction and insulation properties whilst protecting the 'click joint' system
- Installation is simple with overlapping tape and foil – a simple way to achieve a vapour tight, damp proof membrane.



CODE	VARIATION	PRICE
<b>MLVT1.5</b>	20 boards / 1200 x 400 x 1.5mm per pack	<b>£15</b>



### Ardex Feather Finish

Rapid-drying patching and smoothing compound • Up to 50m<sup>2</sup> per bag at feather edge • Install floorcoverings in as little as 15 minutes • Incredibly cost effective • No priming required.



CODE	VARIATION
<b>250089</b>	11kg bag

**CALL NOW FOR TODAY'S BEST PRICE**



### Ardex ArditeX NA Levelling Compound

The Original Yellow Bag® • Save time and money by minimising the need for excessive preparation • Floorcoverings can be installed in as little as 4 hours • Moisture tolerant • Coverage approx. 5m<sup>2</sup> at 3mm.



CODE	VARIATION
<b>250085</b>	20kg Powder & 4.85kg Latex

**CALL NOW FOR TODAY'S BEST PRICE**



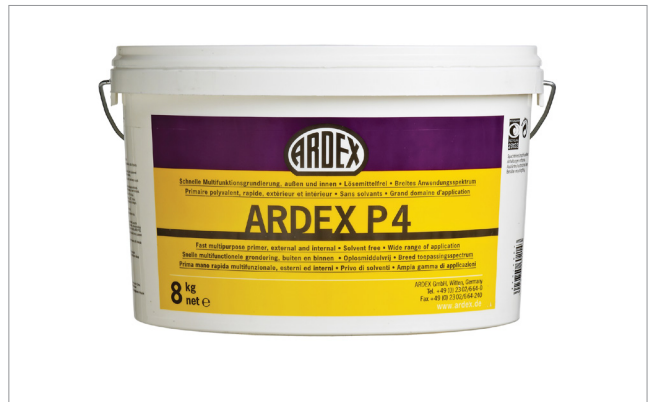
### Ardex P51 Primer

Concentrated multi-purpose primer ideal for a wide number of applications • Ideal for the priming of Gypsum based screeds • Re-sealable tub for convenient use • Coverage: Approx. 160m<sup>2</sup>.



CODE	VARIATION
<b>250087</b>	5kg bottle

**CALL NOW FOR TODAY'S BEST PRICE**



### Ardex P4 Primer

Ready mixed rapid drying multi-purpose primer • Absorbent and non-absorbent substrates • Short 30 minute drying time • Solvent free • For use both internally and externally • Suitable for use with underfloor heating systems • Coverage: Approx 40m<sup>2</sup> per unit.



CODE	VARIATION
<b>250082</b>	8kg tub

**CALL NOW FOR TODAY'S BEST PRICE**



### Sika Rapid DPM

Single part moisture curing polyurethane DPM • Additionally used for priming and consolidation of porous and non-porous surfaces • Isolation of old adhesive residues  
 • **Drying time: Approx. 45 -60 minutes** Primer coverage approx. 30m<sup>2</sup>  
 • **DPM coverage approx. 15m<sup>2</sup> per 2 coats (2/3 coats recommended)**  
 (see TDS for specific coverage guidelines).

CODE	VARIATION	PRICE
250040	5 ltr	£62.95



### Sika Primer MB

2-component epoxy primer and moisture barrier • Adhesion promotion over mastic asphalt and 'old' adhesive residues • Moisture barrier system up to 4% moisture by volume (75% RH) • **Drying time 12 hours at 20°C** • **DPM Coverage Rate: 1kg = 2m<sup>2</sup> max** • **Primer Coverage Rate: 1kg = 4m<sup>2</sup> max.**

CODE	VARIATION	PRICE
250017	5kg	£69.95

**TOP TIP  
FROM  
KARL**

## THERE'S NO CRIME'IN PRIMIN'

**TO GET THE BEST PERFORMANCE AND COVERAGE OUT OF YOUR ADHESIVE, IT'S ALWAYS WORTH TAKING THE TIME TO PRIME.**

Cutting corners could lead to much bigger problems but the simple addition of a fast drying primer can save lots of time and expense down the line.

**For tips on the best primer for your job contact Karl on 01772 696600.**



## F.Ball 1200 Pro

F.Ball Stopgap 1200 Pro is a two component smoothing underlayment (20kg bag & 5ltr bottle) suitable for preparing sound internal subfloors prior to the installation of new floorcoverings • Low odour • Fast setting • Fast drying • Suitable over old adhesive residues (including bitumen and carpet tile tackifiers) without the need for priming • Can be used for patch filling timber floors • Suitable for use in clinical and biologically sensitive areas • Can be used on absorbent and non absorbent subfloors • **Coverage: 20KG mixed with 5L of 1200 Liquid - approx. 5m<sup>2</sup> at thickness of 2-3mm** • At 3mm ready to receive most floorcoverings from 4 hours.

CODE	VARIATION
<b>250057</b>	20kg bag & 5 ltr bottle



**CALL NOW FOR TODAY'S BEST PRICE**



## F.Ball Stopgap 400 Repair Mortar

A water mix rapid repair mortar • Rapid setting, as little as 20 minutes • Slump free compound • For absorbent and non-absorbent floors • Applications between 2-50mm • **Coverage: approx 2.5m<sup>2</sup> per unit at 3mm.**

CODE	VARIATION	PRICE
<b>250003</b>	12kg unit	<b>£15.85</b>



## F.Ball Primer P131 Primer

Designed to promote the adhesion of Stopgap smoothing compounds to non-absorbent smooth surfaces • Can also be used on absorbent surfaces • **Drying time: Approx 2 - 4 hours** • **Coverage: Diluted 20m<sup>2</sup> per litre. Undiluted 10m<sup>2</sup> per litre.**

CODE	VARIATION
<b>250002</b>	5 ltr

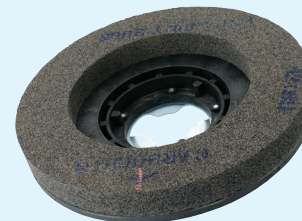
**CALL NOW FOR TODAY'S BEST PRICE**

## Wirbel C43 HDM Sander 240V

2.1HP - 55kgs - 227 RPM • C43 430mm (17") machine • Kit includes 9 litre dust extractor • Pads drive disc or abrasive drive discs included.



CODE	PRICE
<b>C43240KIT</b>	<b>£1295.00</b>



### RT/Wirbel Carborandum Ring Wheel

For levelling screed etc.

Also available without extractor

CODE	PRICE
<b>W405C</b>	<b>£167.89</b>

## SABRETEC 3 Headed Multi Sander

The Sabretec Multi Floor Sander is a high performance, commercial grade floor sander complete with dust-free extraction to be used as a finishing sander to handle ALL types of wood flooring • With a 4Hp motor the Multi can be used as a traditional sanding machine to achieve excellent floor sanding as well as a finishing sander with a brilliant finish • The flexibility of a 1 or 3 headed disc is suitable for any floor type • Besides the application on wood, our extensive range of abrasives and accessories cover a wide range of solutions • From resins and glue removal, sub-floor preparation and ground work, deep cleaning and abrading ceramics, the Sabretec Multi has got it covered.

Features Include:

- 360° Workability
- Dust-Free Extraction System
- Excellent Sanding
- Brilliant Finishing
- Easy to use - no training required
- Also works as a monodisc
- 15 ltr Dust Capacity

CODE
<b>SSM4</b>



CALL NOW FOR TODAY'S BEST PRICE





MEET OUR LEAD  
MACHINE REPAIR  
EXPERT

**ANDY  
BAINES**

EXPERT IN  
ALMOST EVERY  
MAKE AND MODEL  
OF FLOORING  
MACHINERY

SEE PAGE 20  
FOR MORE INFO

**NEW**

## Wolff Duro Stripper

This Stripper makes light work of removing any old fleece backed floorcoverings from wood or concrete subfloors • Wheel set included for easier operation • Stand up or hand help • Includes 8" flexible blade, 8" rigid blade, tool kit, hearing protection, safety gloves & blade cover.

**DURO110**

**£1150**

**DURO240**

**£1150**

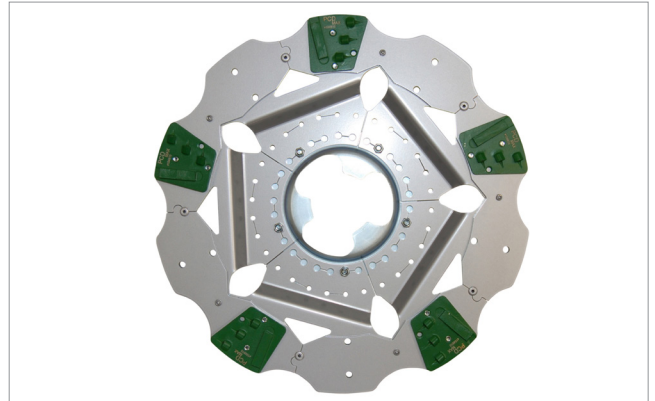


**NEW**

### Sabretec Multi Diamond Disc

Fast, efficient heavy duty removal of humps, mastics, thin-set, self-levelling compounds and various light coatings etc. on soft concrete floor.

CODE	PRICE
<b>140868</b>	<b>£145</b>



### Abrasive PCD Disc

PCD Disc: 5 segments • 400mm diameter - for Golia/Wirbel/RT • Used for removing difficult surfaces like carpet foam, glue, paint, bitumen, tile mortar and excess concrete.

CODE	PRICE
<b>104230</b>	<b>£419</b>



### Abrasive Diamond Disc

Diamond Disc: 5 segments • 400mm diameter - for Golia/Wirbel • Used for the grinding/sanding of screed, concrete, Anhydrite etc.

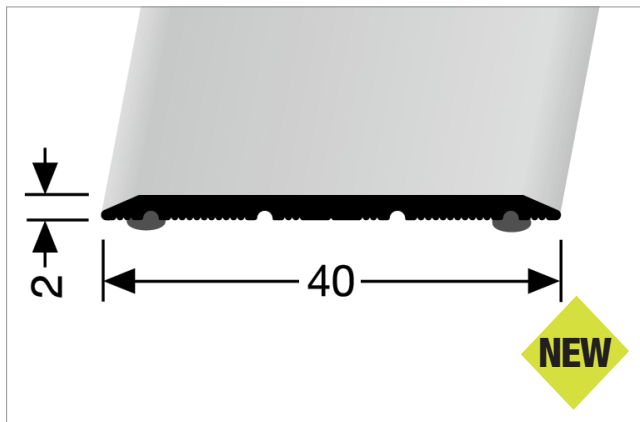
CODE	PRICE
<b>104160</b>	<b>£367</b>



### Extra/Replacement Segments

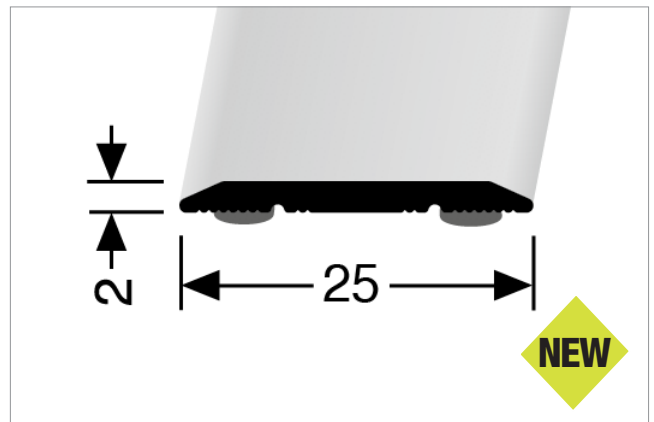
CODE	VARIATION	PRICE
<b>104810</b>	Extra/Replacement PCD Segment	<b>£47</b>
<b>104120</b>	Extra/Replacement Diamond Segment	<b>£37</b>

# MOULDINGS



## Connecting Profile 441

Self-adhesive connecting strip with a stainless steel finish • 40mm.

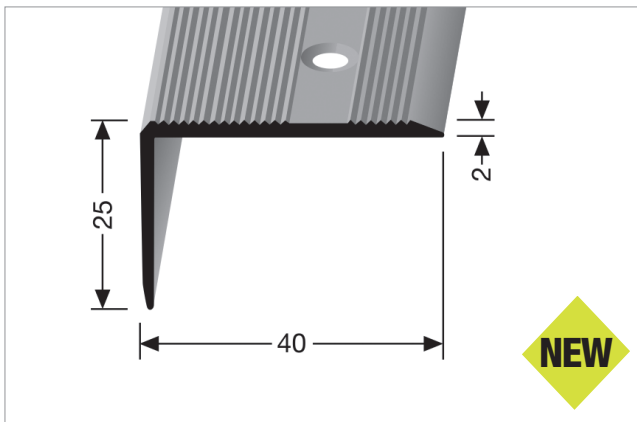


## Connecting Profile 442

Self-adhesive connecting strip with a stainless steel finish • 25mm.

CODE	VARIATION	PRICE
<b>441SS01</b>	Stainless Steel 1m	<b>£6.09</b>

CODE	VARIATION	PRICE
<b>442SS01</b>	Stainless Steel 1m	<b>£4.89</b>



### Angle Edge Profile 228

Self-adhesive angle edge profile with stainless steel finish • 40 mm x 25mm.

CODE	VARIATION	PRICE
<b>228SS01</b>	Stainless Steel 1m	<b>£6.89</b>

## CAN'T SEE WHAT YOU'RE LOOKING FOR?

Give us a call and speak to a member of our dedicated team who can organise a special order to get you the exact product you need.

**01772 696600**

# **MACHINE SERVICE & REPAIR**



**ANDY  
BAINES**

## **HOW DOES IT WORK?**

1. Contact us to book your machine in - you can either drop it off with us or we can arrange collection.
2. We will perform a full diagnostic and discuss required work with you before any repair is started.
3. With your permission we will carry out necessary repairs and replace any faulty parts.
4. Once your machine is back up and running we will arrange to get it back to you along with a new 12 month warranty!

**We aim to carry out all work  
within 5 days.**

**OVER  
35 YEARS'  
EXPERIENCE**

**SERVICES FOR  
ALMOST EVERY  
MAKE AND MODEL  
OF FLOORING  
MACHINERY**

**GET IN CONTACT  
TO BOOK YOUR MACHINE  
SERVICE AND REPAIR TODAY**

Call

**01772 696600**

Email

**[info@havwoodsaccessories.com](mailto:info@havwoodsaccessories.com)**

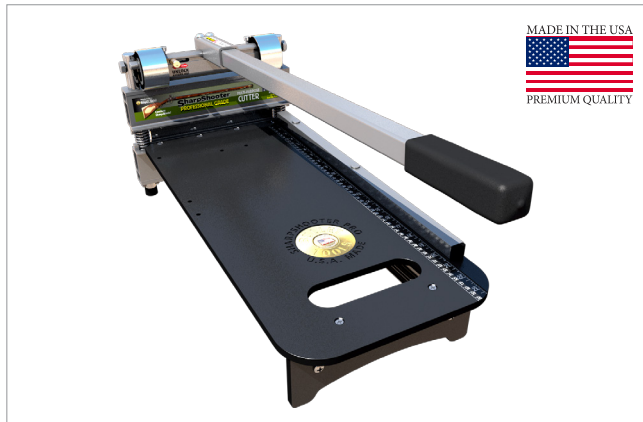
# TOOLS



SHEARS	22
BEPo	24
MEASUREMENT	26
FLOOR PREPARATION	28



## SHEARS



MADE IN THE USA  
  
 PREMIUM QUALITY

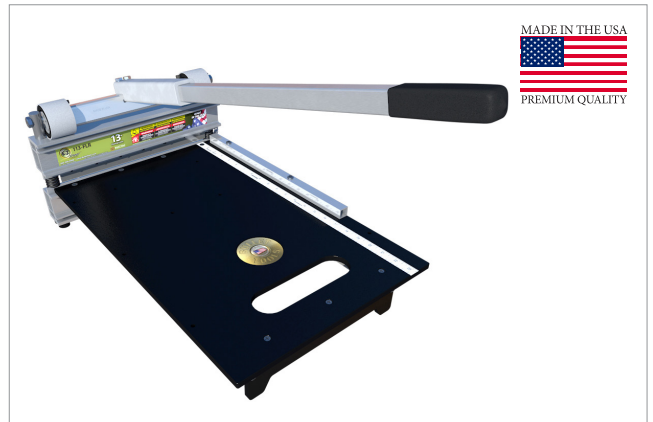
### SharpShooter PRO (Professional Grade) 9\"/>

Ideal for LVT and laminate with immediate, exact cut every time • Dust free, portable and designed for years of continual use • New improved, made in USA, premium quality • Maximum cutting depth of 14mm and width 225mm • Comes with a blade sharpening stone.



CODE	VARIATION
<b>EZ9SS</b>	9" (225mm)

**CALL FOR TODAY'S BEST PRICE**



MADE IN THE USA  
  
 PREMIUM QUALITY

### Marksman 13\"/>

Ideal for LVT, laminate, engineered wood and other flooring materials with immediate, exact cut every time • Dust free, portable and designed for years of continual use • Can cut at angles • Maximum cutting depth of 14mm and width 325mm • Comes with a blade sharpening stone.



CODE	VARIATION
<b>EZFLR13</b>	13" (325mm)

**CALL FOR TODAY'S BEST PRICE**

## 20\"/>

This 20\"/>

- The functional design prevents airborne dust in your work space and frees you from the hassle of electrical cords
- One shear blade outlasts over 20 saw blades
- Built-in ruler and moveable fence for 45° (up to 14 in. wide) and 90° cuts.



UKS ONLY  
 Distributor of  
 Magnum Shear  
 Cutters



CODE	VARIATION
<b>EZFLR20</b>	20" (508mm)

**CALL FOR TODAY'S BEST PRICE**



## SHEARS



### Magnum Sliding Shear, 26in - 64 lbs

Designed to cut 'soft tile products' including vinyl tile, carpet, resilient tiles and more! No dust, electricity, noise, vibration • Easy to use and saves time • MS26 cutting depth of 25mm and width 660mm • MS30 cutting depth of 25.4mm and width 760mm.



CODE	VARIATION	CALL FOR TODAY'S BEST PRICE
<b>MS26</b>	26" (660mm)	



### 13" Magnum EDGE

It cuts laminate, engineered wood, carpet tiles, linoleum, cork tiles, PVC tiles, leather, parquet, Amtico, Karndean and solid wood • Revolutionising hardwood and laminate floor installations • No dust, electricity, noise, vibration • Easy to use and saves time • Cutting depth of 15mm and width 325mm.



CODE	VARIATION	CALL FOR TODAY'S BEST PRICE
<b>MS13</b>	13" (325mm)	



### Roberts Jamb Saw

The Longneck Plus 6" Jamb Saw from Roberts is powered by a 7500 RPM, 1100-watt industrial grade motor and easily cuts door jambs, trim and moulding for installation of new floors. Also cuts through brick and cement block • The 10-56 also benefits from a unique 1-1/2" vacuum port for dust containment plus an extended rotating tail for maximum comfort and extra stability.

CODE	VARIATION	PRICE
<b>RDSAW240</b>	240v	<b>£242.74</b>



### Fein Multimaster Quickstart FMM350

A powerful and universal system for interior work and renovation with accessories for a wide range of applications.

CODE	VARIATION	PRICE
<b>FMM350QS110</b>	110v Supercut with Carpentry Kit	<b>£189</b>
<b>FMM350QS240</b>	240v Supercut with Carpentry Kit	<b>£189</b>



### BEPo UFS 115 Multipurpose Cutting Tool

110/240v • Door trimming • Trimming door frames • Cutting expansion joints • Sawing shadow gaps  
 • Cutting tiles with an edge guide • Fitting door frames • Cuts within 1.5mm of base • Cuts to within 17mm into corners • Adjustable to 28mm from base • Machine turns through 180° • 115mm blade  
 • Includes wooden carry case.

CODE	VARIATION	PRICE
<b>BEP0110</b>	110v	<b>£605.17</b>
<b>BEP0240</b>	240v	<b>£605.17</b>

### BEPo UFS 115 Multipurpose Cordless Cutting Tool

18v • Door trimming • Trimming door frames • Cutting expansion joints • Sawing shadow gaps • Cutting tiles with an edge guide • Fitting door frames • Cuts within 1.5mm of base • Cuts to within 17mm into corners • Adjustable to 28mm from base • Machine turns through 180° • Includes 2 batteries • L-Boxcase • 115mm blade.

CODE	VARIATION	PRICE
<b>BEP018V</b>	18v BEPo Cordless Cutting Tool	<b>£660.40</b>



### BEPo Blades

Ideal for cutting down existing fixtures where nails or pins may have been used.

CODE	VARIATION	PRICE
<b>BBSW</b>	Solid Wood	<b>£57.82</b>
<b>BBNP</b>	Nailproof	<b>£63.60</b>



### BEPo Grinding Block

A neat abrasive pad to remove sharp edges from the bottom of doors.

CODE	VARIATION	PRICE
<b>BBLOCK</b>	Grinding Block	<b>£16.15</b>



### BEPo Cordless Blade

These BEPo cordless blades are ideal for cutting wood products of all kinds • Use on solid or nailproof wood products • 115mm diameter.

CODE	VARIATION	PRICE
<b>BBCNP</b>	Nailproof	<b>£63.99</b>
<b>BBCSW</b>	Solid Wood	<b>£60.58</b>



### BEPo FFS 150S Multipurpose Cutting Tool

240v • 1700w • Door trimming • Trimming door frames • Cutting expansion joints • Sawing shadow gaps • Cutting tiles with an edge guide • Fitting door frames • Cuts within 1.5mm of base • Cuts to within 17mm into corners • Cuts 45mm with nail proof blade • Comes with dista clip set, to set the cutting height accurately. 150mm blade diameter.

CODE	VARIATION	PRICE
<b>BEP0150240</b>	240v Bepo Cutting Tool	<b>£660.40</b>
<b>BB150SW</b>	Bepo 150mm 16T Blade - Solid Wood	<b>£80.79</b>
<b>BB150NP</b>	Bepo 150mm 18T Blade - Nailproof	<b>£80.79</b>
<b>BB150DI</b>	Bepo 150mm 16T Blade - Diamond Blade	<b>£94.45</b>

# PROUD TO STOCK FESTOOL®

■ HAVWOODS  
■ ACCESSORIES

Festool Vecturo  
Cordless Oscillator 18V



**NEW**  
**PRODUCTS**



Festool Mobile Dust  
Extractor CTL Midi I  
GB CLEANTEC

AND  
MANY MORE  
FESTOOL  
PRODUCTS ON  
OUR WEBSITE



Festool Kapex  
Mitre Saw

[www.havwoodsaccessories.com](http://www.havwoodsaccessories.com)

## MEASUREMENT



**NEW**

**Twin Pressure Vinyl Roller**

With a slanted, bowed handle to support a natural hand-positioning, this hand-held pressure roller is ideal for aiding vinyl perimeter bonding.

CODE	PRICE
<b>LROLLERTWIN</b>	<b>£59.95</b>



**NEW**

**Vinyl Flooring Roller 50KG**

This roller is a must for vinyl flooring installation. The four zinc-plated rollers help to evenly distribute the adhesive and add pressure for a stronger bond. Also available in 30KG and 70KG.

CODE	PRICE
<b>LROLLER50</b>	<b>£319</b>



**NEW**

**Leica Lino L2 - A**

A self-levelling cross line laser level that projects bright line accurate to the mm • Very easy to use • Pulse function • Lock function • 30m range • Modern and ergonomic casing • Large glass lens.

CODE	PRICE
<b>LL2</b>	<b>£159</b>



**Leica Disto D1**

An easy-to-use laser measuring device • Unwavering accuracy to 2mm • Linear distance and continuous measurement both with a range of up to 40 meters • Pair the D1 with any smartphone or tablet to create digital floor plans on the fly with the DISTO Sketch app.

CODE	PRICE
<b>LD1</b>	<b>£69.95</b>



**Leica Disto X4**

Specifically designed to make high-precision outdoor measurements an easy task • Pointfinder camera allows you to precisely target and measure distant objects • Drop-tested up to 2m in height, water jet and dust protected • Its IP65 rating means you can clean it under running water • Distance and tilt measurements allow you to determine horizontal distances with absolute precision.

CODE	PRICE
<b>LDX4</b>	<b>£329.00</b>



## MEASUREMENT



**Tramex Data Logger EZ Kit**

Contains a DL-RHTX FeedBack Data Logger and everything you need to go with it; 5 x Hygro-i2 Probe, 1 x RHIE2 Connector Cable, 1 x Wall Mounting, 1 x Tripod Stand, 1 x Softshell Case.



**Tramex CMEPERT II EZ Flooring Kit**

Digital Moisture & Humidity Meter • Easy to use • Immediate digital concrete MC readings • British standard testing • Air and concrete humidity and temperature readings • For concrete and wood.



**Tramex Concrete Encounter**

For immediate moisture content reading in concrete and anhydrite.

CODE	PRICE
<b>FBZK5.1</b>	<b>£391.50</b>

CODE	PRICE
<b>TCMEZF</b>	<b>£560.00</b>

CODE	PRICE
<b>TCE</b>	<b>£331.00</b>



**Tramex Digital Hygrohood**

For testing moisture content of concrete - the economical way.



**Tramex Humidity Box**

Strong, Robust Surface Humidity Box tester for concrete and screeds  
 • It can be used in conjunction with the Tramex CME4 to corroborate the Non-Destructive moisture content test and to conform to British Standard • Humidity Hood with inbuilt digital display which records minimum and maximum humidity levels • Optional C°/F° units available • Memory will be reset when the unit is switched off  
 • Measuring range: 20% – 99%RH, with a temperature range of 0°C – 50°C / 32° – 122°F Tolerances +/- 3%, +/- 1°C / +/- 2°F  
 • Battery powered (included).



**Protimeter MMS2**

The Protimeter MMS2 moisture meter features the very latest technological developments from global market leaders, Protimeter  
 • Easy to use, intuitive, highly durable and incredibly capable, the MMS2 is the ultimate, 'all in one' moisture meter for building diagnostics, flood restoration and concrete flooring contractors • Measures surface moisture, air humidity (ambient), sub-surface moisture as well as the difference between surface temperature and dew point.

CODE	PRICE
<b>THH</b>	<b>£121.00</b>

CODE	PRICE
<b>THB</b>	<b>£61.00</b>

CODE	PRICE
<b>BLD8800</b>	<b>£709.50</b>



### Berg Tecmix TMX Pro 1600

1600 Watt robust and durable mixer • 110V • 2 speed variables • Mixes up to 120 litres.



### Spiker Roller

At 250mm in length, this spiked roller is designed to help remove air bubbles from floor levelling compounds.

CODE	VARIATION	PRICE
<b>TMX1600110</b>	110V	<b>£99.95</b>

CODE	VARIATION	PRICE
<b>SROLLER25</b>		<b>£39.38</b>



### iTools Stirring Station

The complete stirring station makes it possible for you to stir and apply up to 75 kilos of screed at a time, in a fast and effective way • Ensures stable, secure stirring • Incredibly well-balanced for easy handling • Solid quality barrel with long life span • Design of turbine ensures a complete stir • Compatible with stirring machines with locking sleeve width 40-60mm.

CODE	VARIATION	PRICE
<b>ITOOLSTIR</b>		<b>£313.95</b>
<b>ITLSTIRCOMBO</b>	Stirring Station & Berg 110v Mixer	<b>£397.95</b>



### iTools Upright Trowel Kits

Upright trowel system allows for quick and efficient application of all types of screeds and adhesives • A unique joint system imitates the wrist • Faster • Correct posture • Easy to clean.

CODE	VARIATION	PRICE
<b>STK28</b>	28cm Kit	<b>£132.30</b>
<b>STK60</b>	60cm Kit	<b>£149.10</b>
<b>STK90</b>	90cm Kit	<b>£152.00</b>
<b>STKP60</b>	Pin Trowel 60cm Kit	<b>£160.00</b>
<b>STKPINS</b>	Square Pins	<b>£9.95</b>



## FLOOR PREPARATION



### Trowels

Flooring trowel, suitable for the application of most flooring adhesives • Available with A1/A2/B1 Blades and in 18cm or 25cm sizes.

CODE	VARIATION	PRICE
<b>390/18/A2</b>	A2 Blade 18cm - 1.4cm depth	<b>£4.97</b>
<b>390/18/B1</b>	B1 Blade 18cm - 2cm depth	<b>£4.97</b>



### Finishing / Spreader Trowel

Achieve the perfect floor finish with these finishing trowels, designed to help you apply an effective coating of floor screed.

CODE	VARIATION	PRICE
<b>FTROWEL</b>	Finishing Trowel	<b>£48.33</b>
<b>STROWEL</b>	Spreader Trowel	<b>£17.95</b>
<b>TROWEL</b>	S/S Finishing Trowel	<b>£7.82</b>



### Floorlayer Knife

Ergonomic design for better grip • Ideal for most underlays, carpet and vinyl • Comes with its own holster for safety whilst not in use.

CODE	PRICE
<b>SHARK</b>	<b>£7.95</b>



### Straight Blade

100 pack of universal knife blades.

CODE	PRICE
<b>100BPB</b>	<b>£8.95</b>



### Pointed Hook Knife Blade

100 pack of pointed hook knife blades.

CODE	PRICE
<b>100HBPB</b>	<b>£8.99</b>

# **HAV-A-DEAL** **ARE YOU IN?**

**VISIT**  
**OUR WEBSITE**

**[WWW.HAVWOODSACCESSORIES.COM](http://WWW.HAVWOODSACCESSORIES.COM)**  
**AND SIGN UP TO OUR NEWSLETTER**

Be the first to hear about our exclusive HAV-A-DEAL offers, get product reviews, latest industry news and top tips sent straight to your inbox.

# APPLICATORS & MAINTENANCE/ FLOOR PROTECTION/ SAFETY & WORKWEAR

PAGE  
32

PAGE  
34

PAGE  
33

PAGE  
34



FLOOR PROTECTION

32

MAINTENANCE PRODUCTS & KITS

33

SAFETY & WORKWEAR

34

## Marldon Fleece Floor Protection

Ready to use, breathable and no need for tape

- For use on both hard and soft floors.



CODE	VARIATION	PRICE
<b>150070</b>	MFP100 50m <sup>2</sup> roll	<b>£99.95</b>
<b>150069</b>	MFP80 20m <sup>2</sup> roll	<b>£47.95</b>

## Buffalo Board

BuffaloBoard Floor Protection Extreme is the thickest and most durable product in the range, boasting leading features including:

- **+72 Spill Defence**
- **Airtech Vapour Cure**
- **Lay Flat Technology**
- **Extra Forklift Durability**

With cutting edge technology, BuffaloBoard Extreme allows your new floors to breathe whilst providing water resistant protection against any liquid spills – the ultimate protection for your new wood floor installation.

**Thickness: 46mm**

**Roll Size: 30.4m x 965mm (100 foot x 38 inches)**

CODE	PRICE
<b>150105</b>	<b>£59.99</b>





### Marldon Advanced Cleaning Kit

Kit includes; Marldon Spray Mop, Marldon Mop Head, Marldon MXC770 Multicleaner.

CODE	VARIATION	PRICE
<b>950112</b>	Complete Kit	<b>£27.47</b>
<b>950116</b>	Spare Mop Head	<b>£4.60</b>
<b>950117</b>	Dusting Pad	<b>£4.60</b>



### Bona Tile & Laminate Spray Mop Kit

The Bona Tile & Laminate Spray Mop Kit allows for simple cleaning and maintenance of tile, laminate and other hard surfaces such as ceramic, linoleum, granite and more. This kit includes the spray mop and a 0.85L bottle of cleaner.

CODE	VARIATION	PRICE
<b>950121</b>	Mop kit	<b>£28.95</b>
<b>950122</b>	Cartridge Refill 850ml	<b>£5.74</b>
<b>950123</b>	Cartridge Refill 4L	<b>£16.49</b>



### Marldon MXC770

For frequent cleaning of washable floor surfaces • Suitable for oiled and lacquered wood, laminate, PVC, lino, vinyl, stone, tile and porcelain floorings • Natural formula, kind to the skin and non-streaky • Price shown per unit but available to buy as a box of 6 for both 1 ltr and 4 ltr.

CODE	VARIATION	PRICE
<b>950114</b>	1 ltr	<b>£5.95</b>
<b>950115</b>	4 ltr	<b>£18.95</b>



### Bona Cleaner

Cleaner for sealed wooden floors and melamine laminate floors • Cleans polished floors without removing the polish • Extremely economical • Normal floors 50ml/10 litres water • Very dirty floors 100ml/10 litre water.

CODE	VARIATION	PRICE
<b>950025</b>	1 ltr	<b>£8.99</b>
<b>950026</b>	5 ltr	<b>£23.95</b>



## SNICKERS CLOTHING



### Dura Twill Trousers

Amazing work trousers • Made in cotton/polyamide fabric.

CODE	PRICE
<b>DT</b>	<b>£71.76</b>



### Floorlayer's Trousers

The Floorlayer's best friend • Keeps kneepads in position at all times with elastic positioning cord.

CODE	PRICE
<b>FLR</b>	<b>£79.37</b>



### Craftsman Knee Pads

Flexible and effective.

CODE	PRICE
<b>KP</b>	<b>£15.63</b>



### Floorlayer's Knee Pads

Keep their shape, hold their position and don't slide around while hard at work.

CODE	PRICE
<b>FLKP</b>	<b>£39.90</b>



### Active Knee Pads

World's first active knee pads.

CODE	PRICE
<b>KPAXTR</b>	<b>£31.73</b>



### Recoil Knee Pads

A must-have accessory for floor installers who spend a lot of time on their knees • The 6-spring suspension system has been scientifically proven to reduce pressure on knees by 76%, drastically reducing the risk of knee damage • Comfortable, flexible and built to last with a one year manufacturer's warranty.

CODE	PRICE
<b>RCKP</b>	<b>£54.95</b>

## TERMS AND CONDITIONS

PAYMENT MUST BE MADE AT THE TIME OF ORDER, EXCEPT WHEN CREDIT FACILITIES HAVE BEEN APPROVED. OUR CREDIT ACCOUNT TERMS ARE STRICTLY NET MONTHLY. PLEASE CALL FOR FULL TERMS AND CONDITIONS.

**01772 696600**

### Pricing

Prices are per unit unless indicated otherwise. While all prices in the catalogue are believed accurate at the time of publication, we reserve the right to charge according to the price applicable at the time of dispatch.

Copyright ©2019. All rights reserved. No part of this catalogue may be reproduced or transmitted in any form or by any means including photocopying without prior permission in writing from the Directors of Havwoods Accessories Ltd. E&OE.

# FREE NEXT DAY DELIVERY SERVICE\*



**\*ON ORDERS PLACED  
BEFORE 3PM**

on orders over £200 before VAT

Standard next day delivery now only

# £9.95

# TRADE COUNTER & SHOWROOM

**OPEN 7AM - 5PM  
MONDAY -  
FRIDAY**

**COME AND VISIT US AT  
172 BRIERLEY ROAD  
WALTON SUMMIT CENTRE  
PRESTON  
PR5 8AH**



■ **HAVWOODS**  
■ **ACCESSORIES**

172 Brierley Road  
Walton Summit Centre  
Preston  
PR5 8AH  
T: 01772 696600

[info@havwoodsaccessories.com](mailto:info@havwoodsaccessories.com) [www.havwoodsaccessories.com](http://www.havwoodsaccessories.com)

